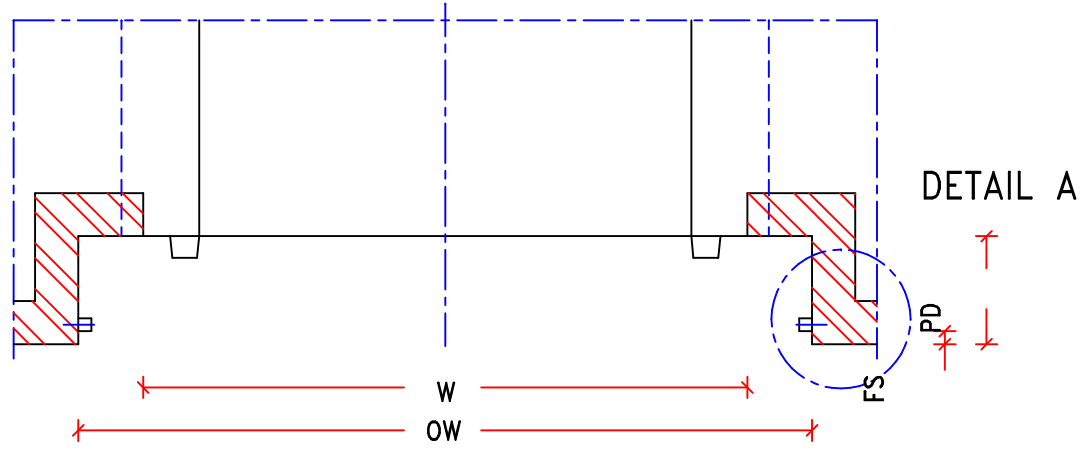
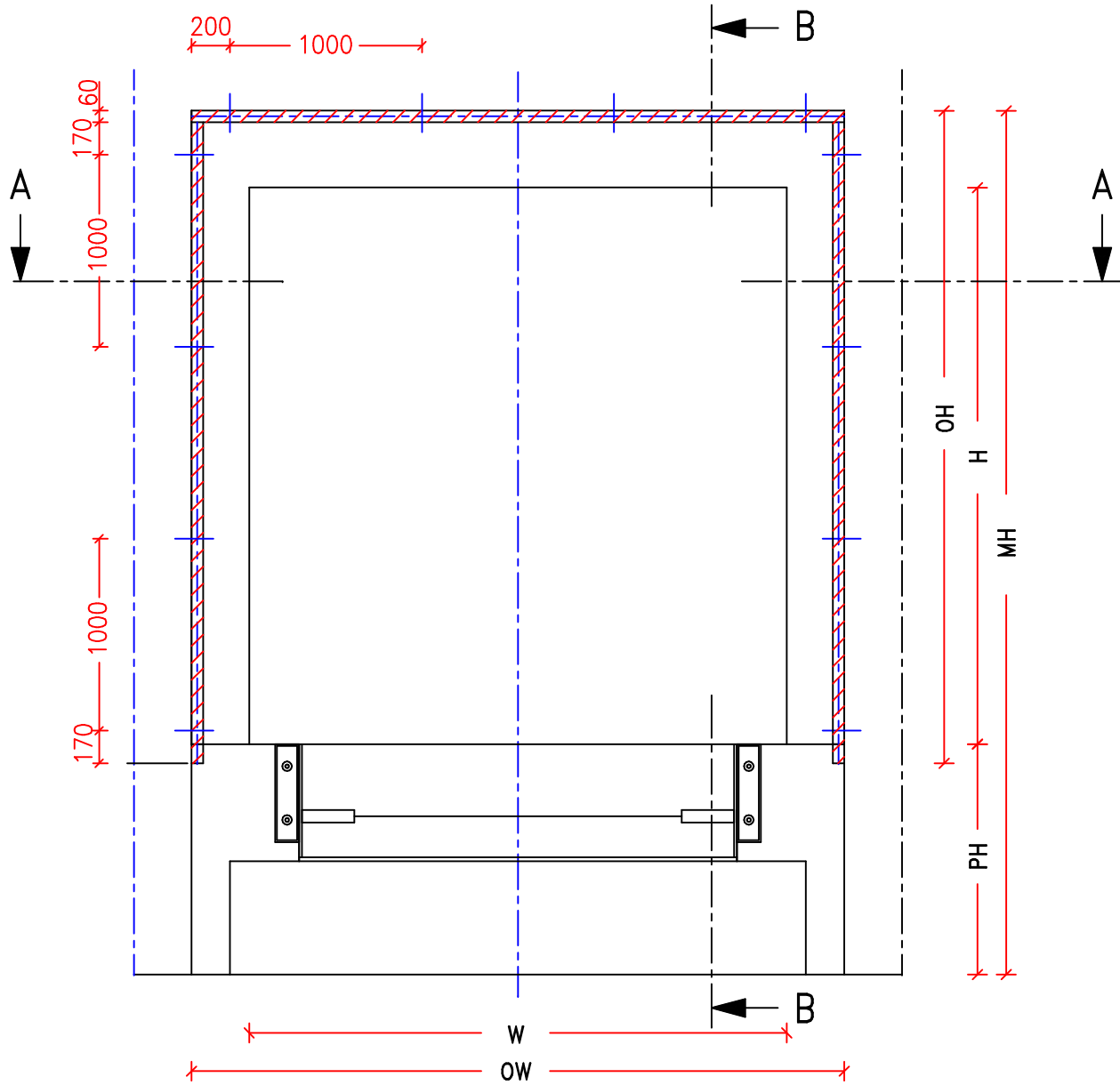


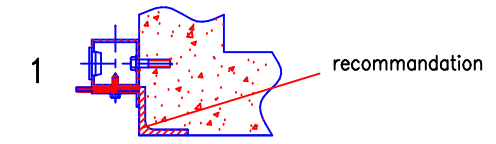
SECTION A-A



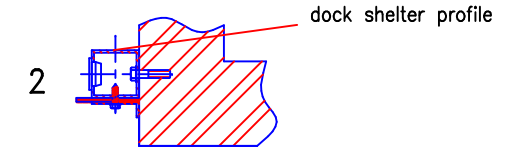
FRONT VIEW



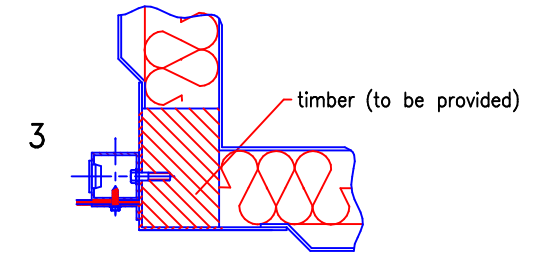
DETAIL A



mounting on concrete or light weight concrete



mounting on brick wall



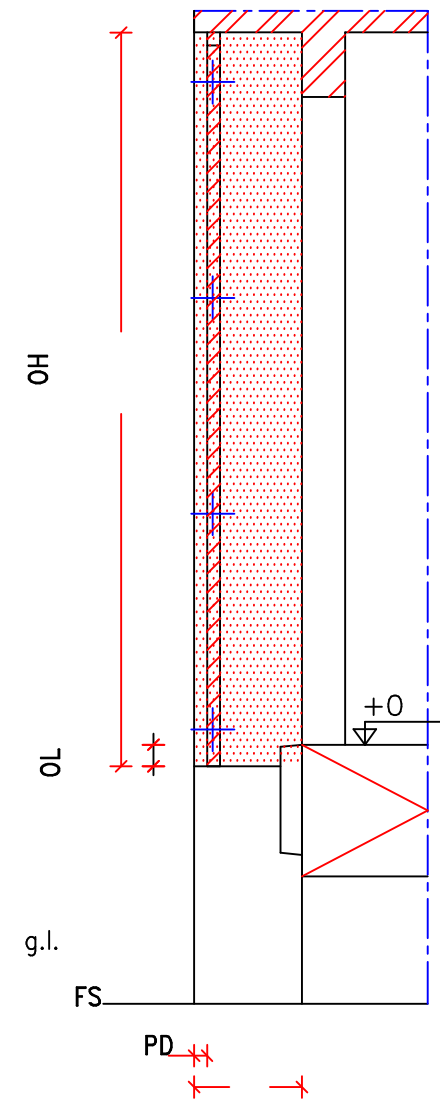
mounting on insulated cladding

UNITS in mm

- OW = Overall width
- OH = Overall height
- PD = Projection depth
- W = Door width
- H = Door height
- MH = Mounting height
- PH = Platform height
- OL = Overlap
- FS = Free side room

= min.50

SECTION B-B



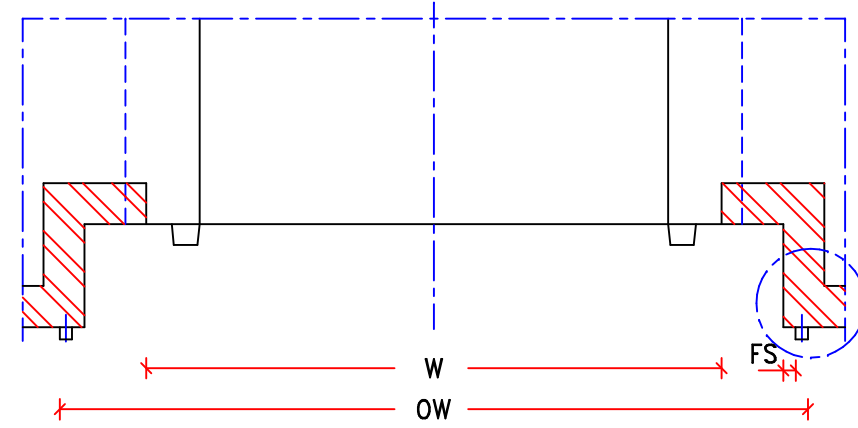
DSC 010 I - A

- NECESSARY MOUNTING SURFACE
- NECESSARY FREE SIDE ROOM

NOTE: - The mounting surfaces for the dock shelters must be levelled and in line.

UNITS in mm		OW	OH	PD	W	H	MH	PH	OL	FS
ITEM :	TYP :									
ITEM :	TYP :									
ITEM :	TYP :									
Wall structure :	(1-3)	<input type="checkbox"/> otherwise :								

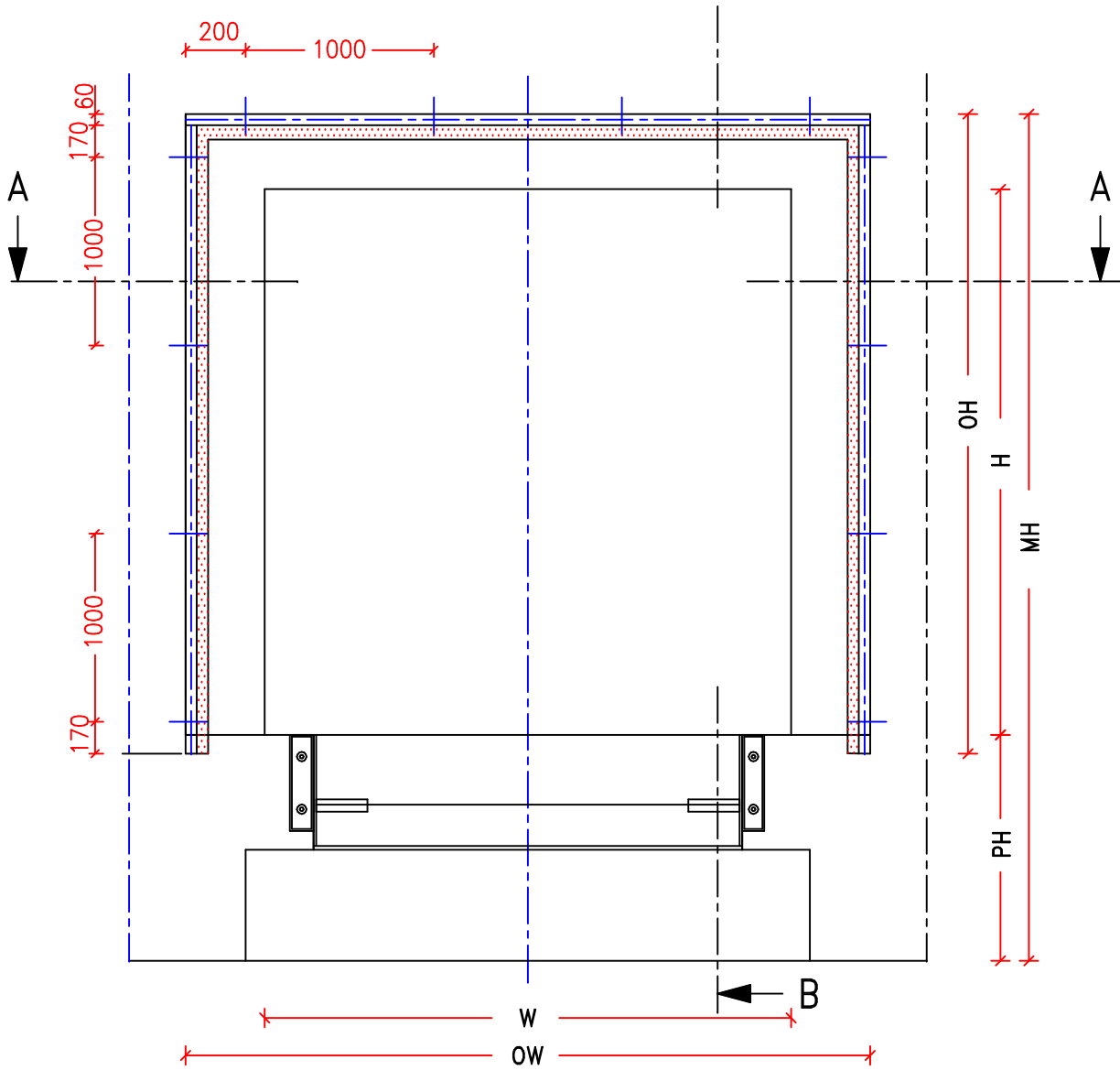
SECTION A-A



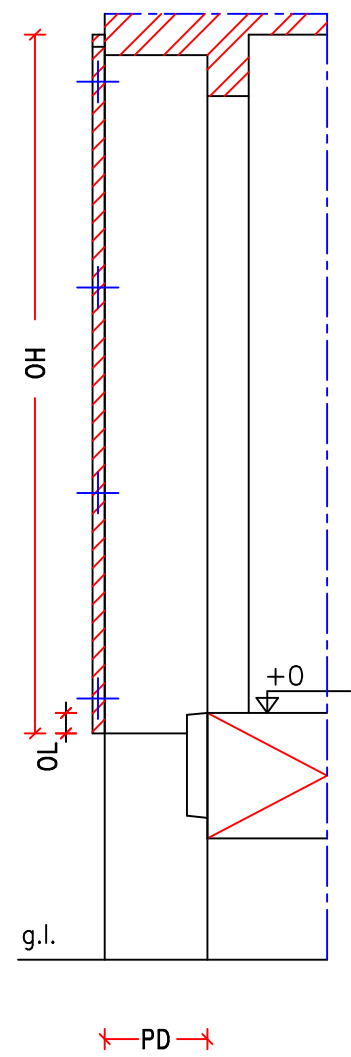
DETAIL A



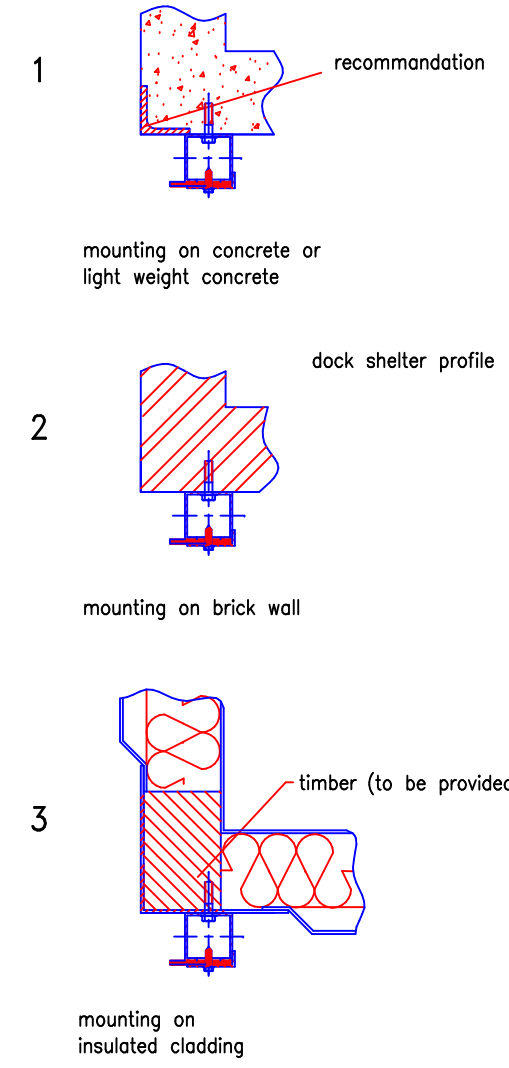
FRONT VIEW



SECTION B-B



DETAIL A



UNITS in mm

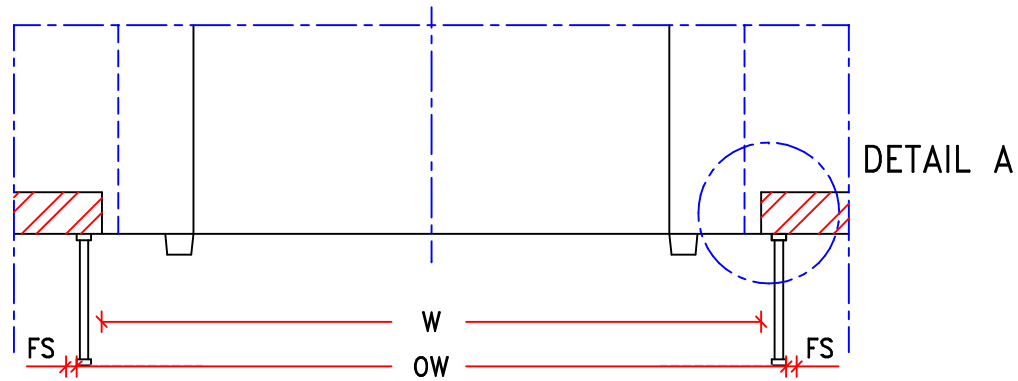
- OW = Overall width
- OH = Overall height
- PD = Projection depth
- W = Door width
- H = Door height
- MH = Mounting height
- PH = Platform height
- OL = Overlap
- FS = Free side room = min.50

NECESSARY MOUNTING SURFACE
 NECESSARY FREE SIDE ROOM

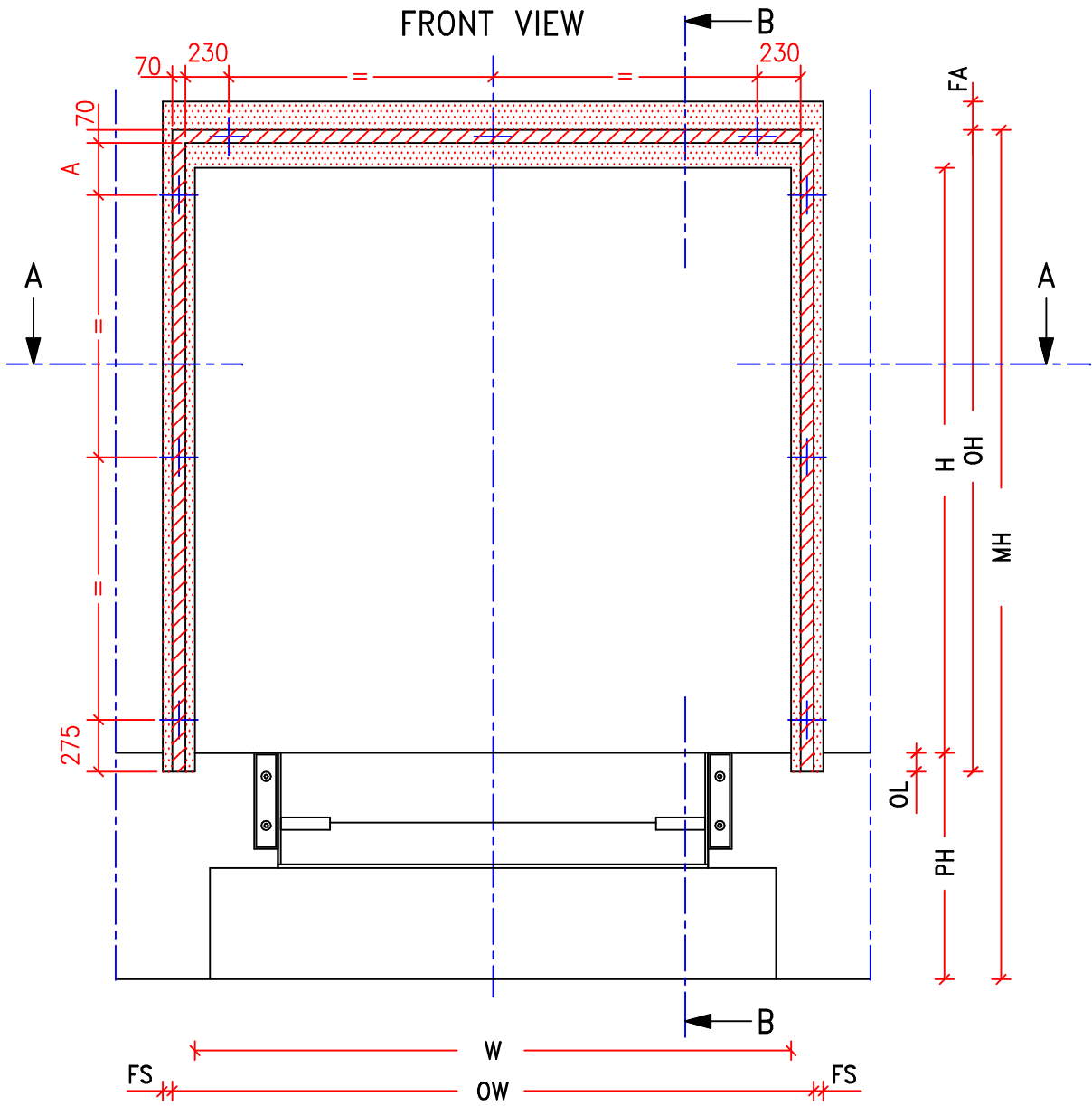
NOTE: - The mounting surfaces for the dock shelters must be levelled and in line.

UNITS in mm		OW	OH	PD	W	H	MH	PH	OL	FS
ITEM :	TYP :									
ITEM :	TYP :									
ITEM :	TYP :									
Wall structure :	(1-3) <input type="checkbox"/>	otherwise :								

SECTION A-A

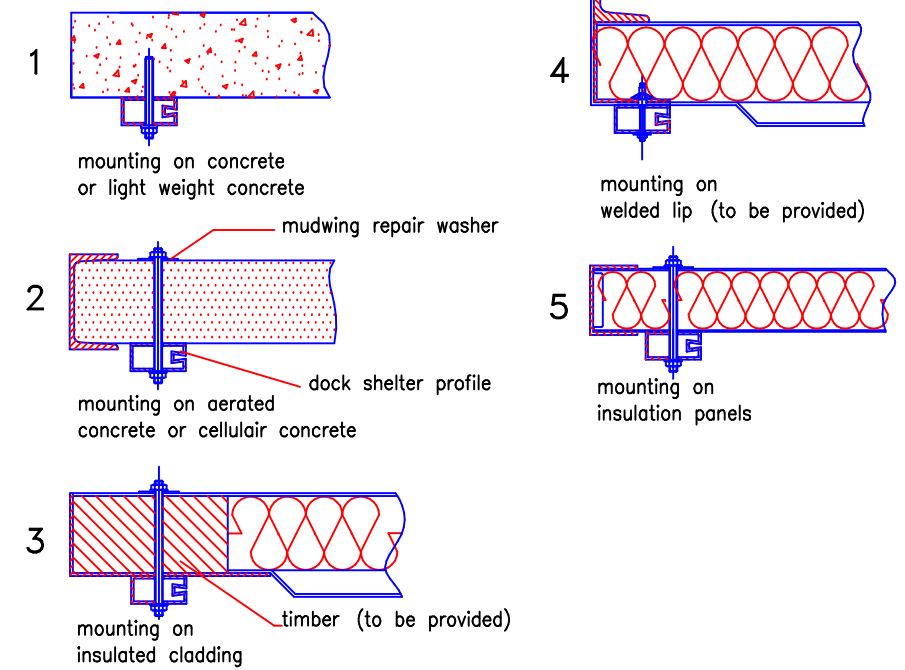


FRONT VIEW

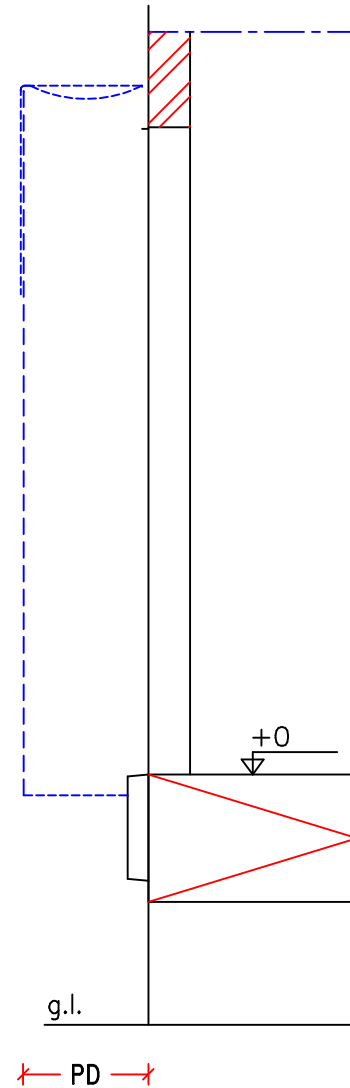


DETAIL A

DETAIL A



SECTION B-B



UNITS in mm

- OW = Overall width
- OH = Overall height
- PD = Projection depth
- W = Door width
- H = Door height
- MH = Mounting height
- PH = Platform height
- OL = Overlap
- FS = Free side room
- FA = Free room above

= min.50
= min.50

NECESSARY MOUNTING SURFACE
 NECESSARY FREE SIDE ROOM

NOTE: - The mounting surfaces for the dock shelter must be levelled and in line.
- In case of a cantilever roof the free room above the shelter must be at least 150 mm and if the projection depth is 900 mm it must be 360 mm.

DSC-R 010 I - A

UNITS in mm		OW	OH	PD	W	H	MH	PH	OL	FS	FA
ITEM :	TYPE :										
ITEM :	TYPE :										
ITEM :	TYPE :										
Wall structure :		(1-5)	<input type="checkbox"/> otherwise :								